

# User Manual

# Ology



Original user manual

# Table of contents

---

<b>1</b>	<b>General instructions</b>	
1.1	About the Ology product series .....	3
1.2	About this user manual .....	4
1.3	Explanations of symbols and notices .....	5
1.4	Exclusion of liability .....	6
<b>2</b>	<b>Basic safety instructions</b>	
2.1	Intended use .....	7
2.2	Non-intended use .....	7
2.3	Safety regulations .....	7
2.4	Users with limitations .....	7
<b>3</b>	<b>Product description</b>	
3.1	Desk .....	8
3.2	Electrical components .....	8
3.3	Factory settings at delivery .....	8
3.4	Components .....	9
3.5	Desk overview .....	10
3.6	Operator panel - intuitive .....	13
3.7	Operator panel - programmable (optional) .....	14
3.8	Electrical height adjustment .....	15
<b>4</b>	<b>Transport and storage</b>	
4.1	Safety guidelines .....	16
4.2	Intermediate storage .....	16
<b>5</b>	<b>Installation, assembly, dismantling</b>	
5.1	Safety guidelines .....	17
5.2	Power supply connections .....	17
5.3	Installation, assembly and setting up .....	17
5.4	Height compensation .....	18
5.5	Disposal of the packaging material .....	19
5.6	Dismantling .....	19
5.7	Disposing of the desk .....	19
<b>6</b>	<b>Operation and settings</b>	
6.1	Safety guidelines .....	20
6.2	Optimal desk height .....	21

6.3	Variant - Basic .....	21
6.4	Variant - facility manager .....	22
6.5	Variant - user crank .....	23
6.6	Variants - Lift 1 and Lift 2 .....	24
6.7	Operator panel - intuitive .....	25
6.7.1	Manual reset, operator panel – intuitive.....	26
6.7.2	Adjusting the desktop height with the intuitive operator panel.....	27
6.8	Operator panel - programmable (optional) .....	28
6.8.1	Manual reset, operator panel - programmable .....	29
6.8.2	Adjusting desktop height with the operator panel - programmable.....	30
6.8.3	Changing the display between centimetres and inches.....	31
6.8.4	Setting the memory position .....	32
6.8.5	Calling up a memory position .....	33
6.9	Sliding desktop .....	34
<b>7</b>	<b>Errors and faults</b>	
7.1	Safety regulations .....	36
7.2	Error messages on the display of the programmable operator panel .....	36
<b>8</b>	<b>Maintenance</b>	
8.1	Safety regulations .....	38
8.2	Function checks .....	38
8.3	Functional Check Table .....	39
8.4	Maintenance tasks .....	40
8.5	Cleaning and care .....	42
<b>9</b>	<b>Customer service</b>	
9.1	Delivery, setup, instruction .....	43
9.2	Repairs and spare parts .....	43

# 1 General instructions

## 1.1 About the Ology product series

The Ology office furniture product line from Steelcase is subject to constant quality control in its manufacturing and sales. Thus fault-free functionality is ensured.

### Product information

The products have been designed and manufactured in accordance with the state of the technology (in Germany at the time of construction) and the recognized technical rules, nevertheless hazards can occur. Comply with the respective safety instructions in this regard! Faults that can impair safety must be corrected immediately. We reserve the right to make technical changes to the products for technical reasons.

Steelcase uses a quality management system that satisfies the requirements specified in DIN EN ISO 9001.

Steelcase is entitled to use the GS mark for its Ology product series.

Moreover Steelcase affixes the Öko-Audit-Siegel (ECO-Audit-Seal) for the "EC system for environmental management and environmental business management".

The electric height adjustment unit type plate is located on the controller housing and on the columns, and under the tabletop.

## 1.2 About this user manual

This user manual provides information about the components, the function, use and maintenance of the Ology desk and its components.

**Purpose of the user manual**

If there are malfunctions it serves as an aid for troubleshooting and fault rectification.

The safety instructions help to avoid personal injury and material damage.

The users of the Ology desk are obligated to take note of these safety instructions and to always comply with them.



Steelcase accepts no liability and offers no guarantee for damage and malfunctions that occur due to failure to comply with the instructions in the user manual.

---

This user manual is a component of the Ology desk. It is only valid as a complete document. If the desk is resold, this user manual is part of the scope of delivery.

Steelcase makes this user manual available on the Internet, at the following address:

---

[www.steelcase.com/ology](http://www.steelcase.com/ology)

---

Excerpts or copies must not be forwarded to third parties or used in any other published form without prior written consent from Steelcase.

**Copyright**

This user manual, provided as part of the technical documentation, is subject to German copyright law.

### 1.3 Explanations of symbols and notices

The symbols listed below are used in this user manual and have the following meanings:

**DANGER****Imminent danger! Injury is possible!**

- ▶ Failure to comply with the instructions can result in serious health impairment or death.
- 

**WARNING****Potentially hazardous situation!**

- ▶ Failure to comply with the instructions can result in serious bodily injury.
- 

**CAUTION**

- ▶ Failure to comply with the instructions can result in minor injury, material damage or malfunction.
- 



Tips and important information

---

Typographic emphasis:

- Listing
- ▶ Handling instruction

## 1.4 Exclusion of liability

Under one or more of the following conditions Steelcase can be excluded from all liability:

- Non-intended use of the product;
- Use of the product beyond its intended purpose as office furniture;
- Use of the product with defective or malfunctioning safety and protection devices;
- Improper assembly by unauthorised persons;
- Use of components and adaptations not supplied by Steelcase. If parts are purchased externally, we cannot guarantee that they are designed and manufactured in a manner suitable for the stress and safety requirements;
- Strategies by third-party suppliers that demonstrably result in misuse of the product;
- Unapproved changes to the product with regard to its design and implementation;
- Product loads exceeding the maximum loads specified by the manufacturer;
- Improper maintenance, maintenance by third parties or maintenance by unqualified persons;
- Inadequate monitoring of the product components (functional checks);
- In the event of improper disposal and recycling of the product or of the packaging in the material recycling system;
- Resale to third parties if the user manual is not supplied;
- Catastrophes caused by the influence of foreign objects or force majeure.

Check all of the components regularly and, if damage occurs, contact authorised and qualified technicians or our service hotline (see 9.2 Repairs and spare parts).

Extensive assembly, maintenance and disposal activities must only be performed by technicians who are qualified to perform these tasks.

More extensive information and recommendations can be found in later sections of this user manual.

## 2 Basic safety instructions

### 2.1 Intended use

The Ology desk is exclusively designed to be used as office furniture. Any other use or use beyond that cited above is non-intended use. In the event of non-intended use, Steelcase shall assume no liability for any damage caused and no guarantee for trouble-free and functional operation of the components.

**Intended use**

Intended use also includes compliance with all instructions in the user manual.

### 2.2 Non-intended use

If the product is not used as intended, dangers to life and limb, as well as material damage can occur. For this reason, non-intended use is prohibited. In the event of non-intended use, Steelcase shall assume no liability for any damage caused and no guarantee for trouble-free and functional operation of the components. Non-intended use includes:

- Load lifting
- Use as a climbing aid
- Permanent storage surface for objects with a total weight of more than approx. 75 kg
- Outdoor use
- Use in damp rooms

**Prohibited use**

### 2.3 Safety regulations

The Ology desk may only be used and operated when in a technically perfect condition and in compliance with the user manual.

The user of the Ology desk is obligated to always comply with the safety regulations and warnings in this user manual.

**Comply with the safety regulations**

In supplementation to the user manual, the generally valid, as well as local regulations, concerning accident prevention and environmental protection must be provided and complied with.

### 2.4 Users with limitations

This desk can be used by children 8 years of age and older, as well as by persons with reduced physical, sensory, or mental capabilities, or lack of experience and knowledge, if they are supervised, or have been instructed in the safe use of the desk, and understand the dangers associated with use of the desk. Children must not play with the desk. Cleaning and user maintenance must not be executed by children without supervision.



### 3 Product description

#### 3.1 Desk

##### Ology Lift 1 / Lift 2

Dimensions:	(See delivery ticket)
Weight:	(See delivery ticket)

#### 3.2 Electrical components

##### Controller and drive

Temperature range at installation site:	+5°C to +35°C
Relative humidity:	5% to 80% (non-condensing)
Rated voltage:	230 V AC ~ ± 10%
Rated frequency:	50 Hz
Maximum load capacity:	Approx. 75 kg / 750 N
Maximum switch-on duration:	2 min ON / 18 min OFF
Protection class (with ground connection)	I
Maximum power consumption for the lift process:	
- 2 telescopic columns per desk	300 W
- 3 telescopic columns per desk	380 W
Power consumption in standby mode:	≤ 0.3 W
Maximum adjustment range:	
- Single telescope	680 mm to 1180 mm
- Double telescope	650 mm to 1250 mm
Operator panel - <i>intuitive</i>	Standard
Operator panel - <i>programmable</i>	optional
Noise emission:	< 60 dB(A)

Type plates are on the controller housing, on the columns and under the desktop.

#### 3.3 Factory settings at delivery

At delivery, the desktop reference height is:

- Variant - Basic: 740 mm
- Variant - Telescopic: 740 mm
- Variant - Crank: 740 mm
- Variant - Lift 1: 680 mm
- Variant - Lift 2: 650 mm



With the Telescopic, Crank and Lift variants, you can change these settings according to your requirements. You will find the corresponding descriptions in Chapter 6.

### 3.4 Components

The Ology desk is essentially comprised of the following components (you can find the variant descriptions in the respective chapters):

- Desktop with plastic parts for desktop fastening
- Columns with sheet steel skids (see variants fix, FM, Crank, Lift 1, Lift 2), welded, including adjustment screw for compensating floor unevenness.
- Top cantilever left/right
- Horizontal structural tube
- Cable duct (optional)
- Manual height adjustment (telescopic or crank)
- Electrical height adjustment element:
  - Lift 1: Electric motor (680...1180), in column
  - Lift 2: Electric motor (650...1250), in column
  - Control system for lift height adjustment, including software-supported stopping device
  - Optional: Sensor
  - Standard: Operator panel - *intuitive*
  - Optional: Operator panel with display of height; programming functions for three desktop heights

All available components, are in the separate technical description and in the price list.

A wide range of accessories is available in various materials, surface treatments and dimensions. Please follow the instructions for using the components and accessories (see Chapter 6 Operation and settings).

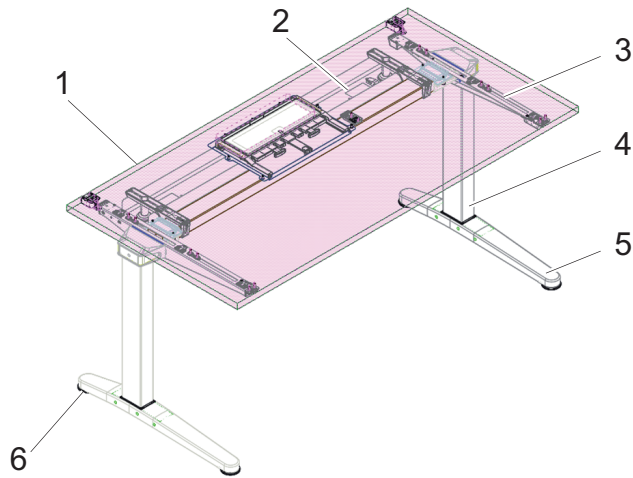
#### Accessories

Please contact our Customer Service for detailed information on available system components and for additional orders and subsequent deliveries (see Chapter 9 Customer service).

### 3.5 Desk overview

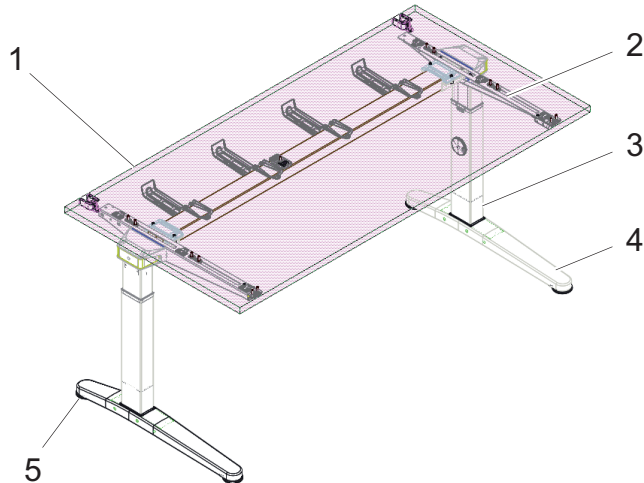
Each of the illustrations shows one of the many design variants of the Ology desk. They are provided merely to illustrate the desk components.

Figure 3-1 Variant - Basic



1	Sliding desktop (closed)
2	Cable duct
3	Cantilever
4	Column
5	Runner
6	Adjusting screw for height compensation

Figure 3-2 Variant - facility manager

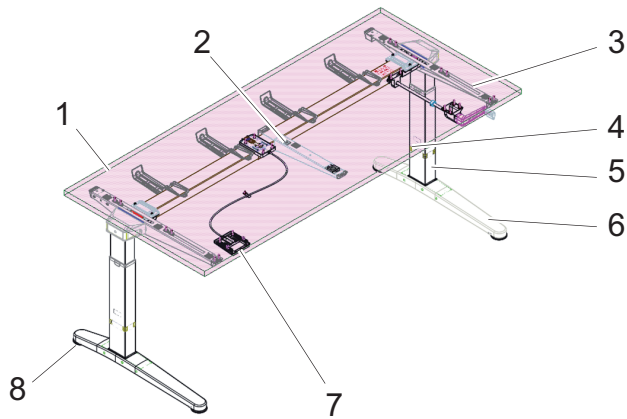


1	Sliding desktop (closed) can only be operated by qualified personnel
2	Cantilever
3	Column
4	Runner
5	Adjusting screw for height compensation



Desk height adjustment is described in Chapter 6.

Figure 3-3 Variant - user crank

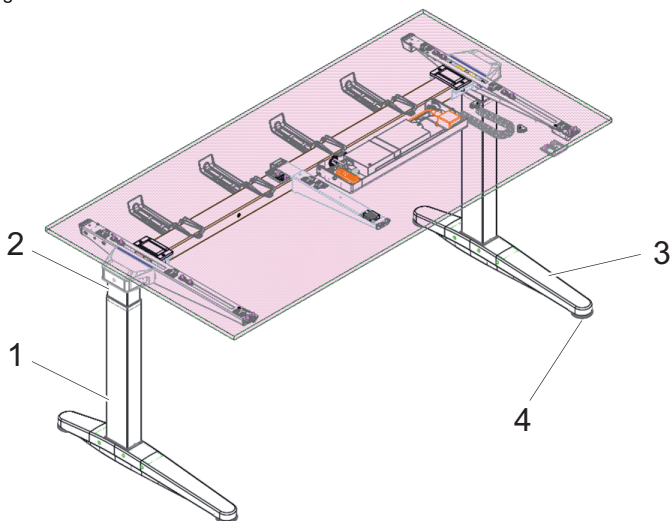


1	Desktop (closed), can be operated by each user
2	Support cantilever
3	Cantilever
4	Crank
5	Telescopic column
6	Runner
7	Sliding desktop opening latch
8	Adjusting screw for height compensation



Desk height adjustment is described in Chapter 6.

Figure 3-4 Variant - Lift 1

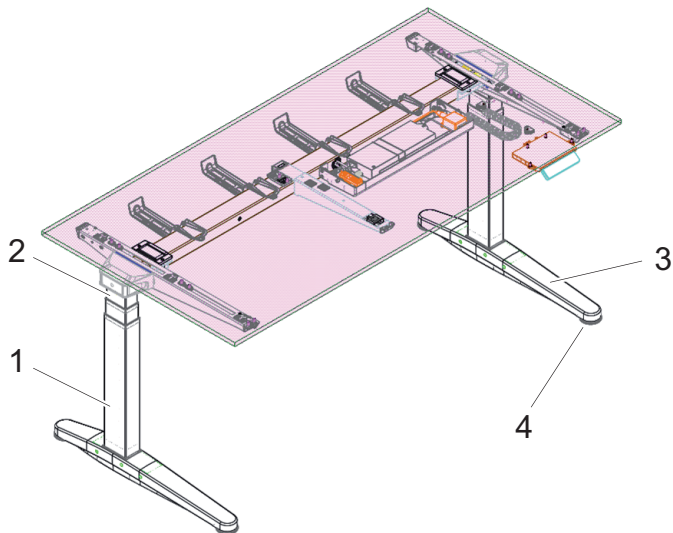


1	Telescopic column
2	Lift column
3	Runner
4	Adjusting screw for height compensation



Desk height adjustment is described in Chapter 6.

Figure 3-5 Variant - Lift 2



---

1	Telescopic column
2	Lift column
3	Runner
4	Adjusting screw for height compensation

---



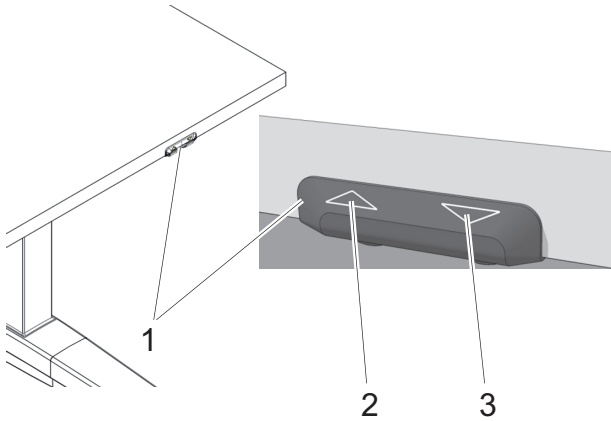
Desk height adjustment is described in Chapter 6.

---

### 3.6 Operator panel - *intuitive*

The Operator panel with "up" and "down" functions is usually located on the right, on the underside of the desktop.

Figure 3-6 Operator panel - *intuitive*



1	<b>Operator panel</b>
2	"Up" button
3	"Down" button

### 3.7 Operator panel - *programmable* (optional)

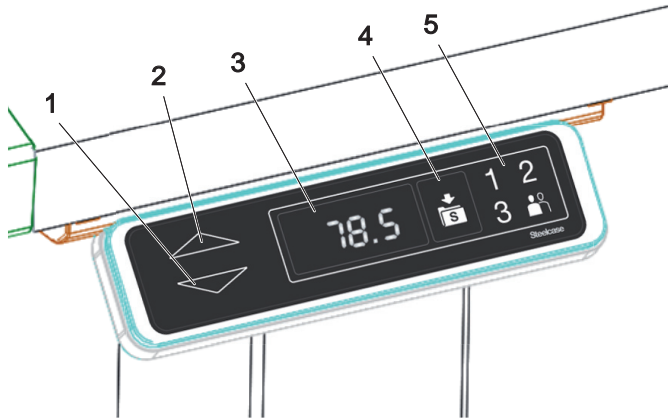
Three different memory positions can be entered via the *programmable* operator panel.



Memory position setting is described in Chapter 6.

---

Figure 3-7 Operator panel - *programmable*




---

1	"Down" button
2	"Up" button
3	Display
4	"STORE" button
5	Keypad "MEMORY 1 / 2 / 3" + calibration mode

---

The cable of the operator panel is connected to the controller. It is located below the desk.



Information concerning the motor controller is in the user manual, COMPACT\_eco Firmware version 1.9 at [www.logicdata.at](http://www.logicdata.at).

---

### 3.8 Electrical height adjustment



Operation of the electrical height adjustment unit is described in Chapter 6.

---

The electrical height adjustment unit allows three optimal desk heights (seated height and standing height) to be set and permanently programmed. Essentially it consists of the following components:

- Lift 1: Electric motor 680...1180
- Lift 2: Electric motor 650...1250
- **Operator panel**
- Control system for lift height adjustment, including software-supported stopping device

The stopping device is an extension module for desk height adjustment. It responds as soon as desk travel is disturbed by an object, e.g. when an open window enters the travel range. Desk travel is stopped, the travel direction is reversed and the desk moves approx. 2 cm out of the area where there is a jam.



The stopping device does not respond to relatively soft objects.

---

The mechanical lift movement is executed via an electronic controller. The electronic controller is in a plastic housing under the desktop.



## 4 Transport and storage

### 4.1 Safety guidelines



#### **WARNING**

**Risk of injury or damage!**

**When lifting the desktop or the attached components, the attachment screws may tear.**

- ▶ When transporting or moving the desk, only grasp the desk on the upper frame or on the side frame.
- 



#### **CAUTION**

**Values stored in the controller do not agree with the settings of a different desk.**

**Risk of damaging the lifting mechanism!**

After dismantling the desk, e.g. for transport reasons:

- ▶ Always reattach the two side frames to the associated desktop cross member of the same desk.
  - ▶ Comply with the separate assembly instructions in this regard.
- 

### 4.2 Intermediate storage

If the desk must be temporarily stored before installation, the following conditions must be fulfilled:

- The transport packaging must be intact
- The floor must have sufficient load-bearing capacity
- Dry floor
- Level set-up surface
- Temperature range +5°C to +40°C
- Max. rel. humidity: 80%

## 5 Installation, assembly, dismantling

### 5.1 Safety guidelines



#### WARNING

##### Danger of crushing and shearing!

- ▶ Maintain a sufficient lateral distance (at least 2.5 cm) from all surrounding objects, walls, etc. within the entire lift range.



#### WARNING

##### Danger of injury and damage!

- ▶ Set up the desk so that sufficient space is ensured for lifting and for maintenance.



#### WARNING

##### Risk of injury or damage!

**When lifting the desktop or the attached components, the attachment screws may tear.**

- ▶ When transporting or moving the desk, only grasp it on the under-frame.

### 5.2 Power supply connections

Supply connections must only be executed by technicians who are qualified and authorized to perform this task.

The electrical equipment for the desk must be checked. Loose connections and damaged cables must be repaired immediately.

Only plug in or unplug plug-and-socket-connections when the electrical equipment is de-energised.

The power plug of the desk must be accessible at all times.



Information concerning the connections for the motor control system is provided in the operating manual COMPACT\_eco, firmware version 1.9 at [www.logicdata.at](http://www.logicdata.at).

### 5.3 Installation, assembly and setting up

Setup and use of the product requires detailed planning. For this Steelcase offers the services of a separate planning department.

The partially-assembled units for the Ology desk are generally supplied via retailers or directly from the manufacturer.

After unpacking, check the product immediately for damage sustained during transportation and completeness; if necessary, inform the manufacturer of any damage as soon as possible.

**Delivery verification**

The installation site must meet the following conditions:

**Setting up**

- The floor must have sufficient load-bearing capacity
- Level set-up surface
- Temperature range +5°C to +40°C
- Max. rel. humidity: 80%

Steelcase recommends having the installation performed by the retailer or by a qualified installation company.

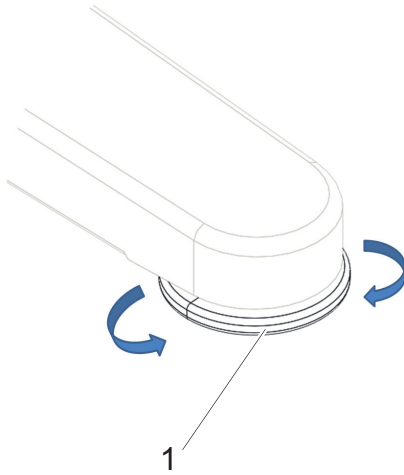
**Assembly**

## 5.4 Height compensation

To compensate for floor unevenness, you can elevate each foot by as much as 1.0 cm with an adjusting screw.

The following applies for a desk that has already been set up: Before performing the height compensation, remove any objects from the desktop.

Figure 5-1 Height compensation



1	Adjusting screw
---	-----------------

- ▶ Turn the adjusting screw until the height is compensated.

## 5.5 Disposal of the packaging material

The packaging includes the following:

- Outer cardboard packaging
- Shrink film of polyethylene (PE)
- Bubble wrap of Polyethylene (PE)
- Edge guards of cardboard or polyethylene (PE)
- Corner guards of polyethylene (PE)

These materials are recyclable. With assembly by Steelcase or an assembly company authorized by Steelcase, the packaging will be disposed of by the manufacturer. If you assemble the desk yourself, then ensure correctly sorted separation and recycling in the material recycling system.

## 5.6 Dismantling

Dismantling must be carried out by qualified personnel. For subsequent set-up, see 5.3 Installation, assembly and setting up.



### CAUTION

**Values stored in the controller do not agree with the settings of a different desk.**

**Risk of damaging the lifting mechanism!**

After dismantling the desk, e.g. for transport reasons:

- ▶ Always reattach the two side frames to the associated desktop cross member of the same desk.
- ▶ Comply with the separate assembly instructions in this regard.

## 5.7 Disposing of the desk

If the Ology desk must be definitively dismantled and disposed of,

- ▶ Disconnect the desk from the supply connections:
- ▶ Dismantle the desk into its various components;
- ▶ Sort the dismantled parts by
  - Reusable components;
  - The material groups to be disposed of (wood, metal, plastic, electrical parts)

And ensure recycling in the material recycling system. The national regulations must be complied with.

## 6 Operation and settings

### 6.1 Safety guidelines

The Ology desk must only be used when in a technically perfect condition and in compliance with the user manual.

Before changing the height of the desk, ensure:

- That the desktop is level (if the floor is uneven, align via the adjusting screws on the feet);
- That no persons or objects (e.g. open doors or windows, are in the lift range, or protrude into the lift range);
- That no one is on the desk;
- The maximum permissible desk load-carrying capacity is not exceeded.



#### **DANGER**

**Contact with electrical voltage can cause serious injury and death by electrocution!**

- ▶ Only unplug or plug-in plug connections when the desk is de-energised
  - ▶ Do not attempt to open the housing of the following components:
    - Controller
    - Columns
    - Operator panel
- 



#### **DANGER**

**Contact with electrical voltage can cause serious injury and death!**

The metal parts of the desk can become energised if live cables and connections are damaged.

- ▶ Do not earth electrical devices to the desk frame!
- 



#### **WARNING**

**Danger of crushing and shearing!**

- ▶ Maintain a sufficient lateral distance (at least 2.5 cm) from all surrounding objects, walls, etc. over the entire lift range.
- 



#### **WARNING**

**Danger of injury and damage!**

- ▶ Set up the desk so that sufficient space is ensured for lift movements and for maintenance.
- 



#### **WARNING**

**Danger of injury and damage!**

When lifting the desktop or the attached components, the fastening screws may tear.

- ▶ When transporting or moving the desk, only grasp the desk on the under-frame.
-

**WARNING****Danger of injury and damage!**

When loading the CPU holder with weight that is higher than the approved weight, the fastening screws can tear.

- ▶ Comply with the permissible weight!



Ensure that the connecting cables for the devices on the desk are long enough.

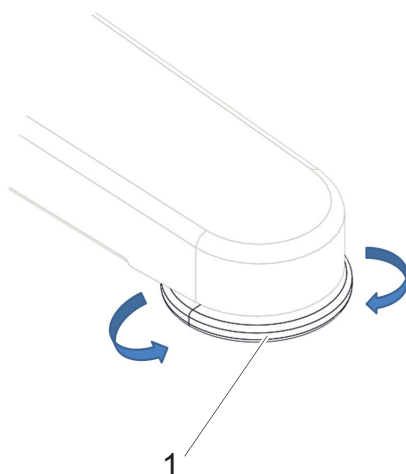
## 6.2 Optimal desk height

Optimal desk height adjustment (seated height) is crucial for sitting correctly at the workstation. The desk height to be set for the workstation is provided in the workstation analysis (e.g. in accordance with the German occupational Health and Safety Act, ordinance governing VDU workstations (accident prevention regulations)).

## 6.3 Variant - Basic

The desk has a height of 74 cm. If the floor is uneven, a height adjustment of up to 1.0 cm can be executed with an adjustment screw on each of the feet of the desk.

Figure 6-1 Height compensation



1	Adjusting screw
---	-----------------

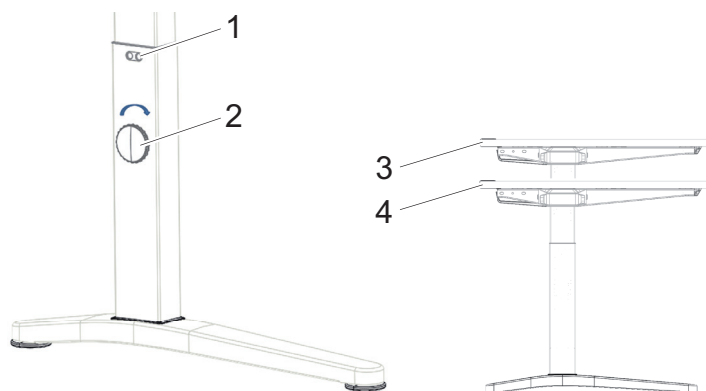
- ▶ Remove all objects from the desk
- ▶ Turn the adjusting screw to the desired position

## 6.4 Variant - facility manager

The desk can be adjusted to a height between 620 mm and 900 mm with an adjusting wheel.

### Adjusting the desk height

Figure 6-2 Adjust the height of the desk



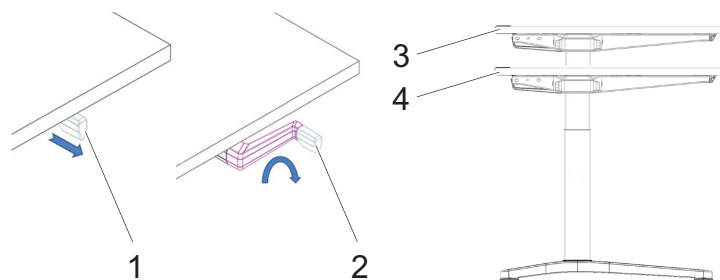
1	Display – desk height	2	Adjustment wheel
3	Maximum desk height	4	Average desk height

- ▶ Remove all objects from the desk
  - 1 Loosen the adjustment wheel.
  - 2 Pull up or slide down the telescopic column to the desired length (see scale).
    - ▶ In this process firmly hold the desktop!
    - ▶ Do not position yourself under the desk when performing the height adjustment!
  - 3 Tighten the adjustment wheel.
- ▶ Adjust all columns to the same height.

## 6.5 Variant - user crank

The desk can be variably adjusted to a height between 620 mm and 900 mm:

Figure 6-3 Adjusting the desk height



**Adjusting  
the desk  
height**

1	Crank in park position	2	Crank in working position
3	Maximum desk height		Average desk height

► Remove all objects from the desk.

- 1 Pull crank out of the park position.
- 2 Crank the telescopic columns up or down to the desired length (see scale). All of the columns are moved simultaneously. Do not lift the desktop during the cranking procedure!
- 3 Slide the crank back into park position  
If the crank remains in its working position, there is danger of impact!



## 6.6 Variants - Lift 1 and Lift 2

The desk can be variably set at a height between 650 mm and 1250 mm (variant - Lift 1) or between 680 mm and 1180 mm (variant - Lift 2).

Before placing the desk in service, ensure

- that the desk has been properly assembled,
- that the controller is connected to the motor via cable,
- that the operator panel is connected to the controller.
- that all safety regulations have been complied with.

You can now connect the power supply:

- ▶ Plug the mains plug into a 220 V/230 V power outlet

Prior to placing the desk in service it is necessary to execute a reset process.

**Placing the  
desk in  
service**



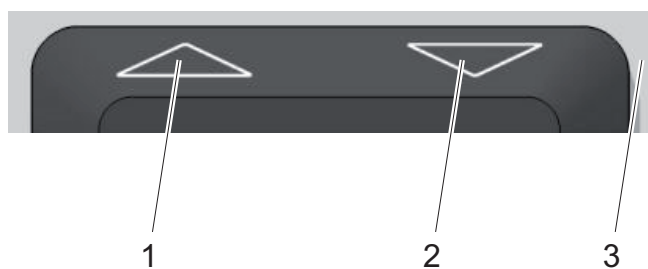
The instructions in this regard are in the description of the appropriate operator panel.

---

## 6.7 Operator panel - intuitive

The operator panel is located on the left or right on the underside of the desktop.

Figure 6-4



1	"Up" button
2	"Down" button
3	Desktop



### CAUTION

#### Risk of damaging the operator panel!

- ▶ Do not place any loads on the operator panel
- ▶ Do not lay any objects on the operator panel
- ▶ Do not pour any liquids onto the operator panel

### 6.7.1 Manual reset, operator panel – intuitive

An end position calibration of the lowest desktop position must be executed:



- Prior to placing the desk in service
- If the actual desktop position no longer agrees with the displayed desktop position.
- If a previously configured motor controller is used in a different electrically height adjustable workstation of the same design.



**WARNING**

**Danger of crushing and shearing!**

- ▶ During the reset movement, and for the end position calibration, the software-supported stop device is not active.


	Press the "Down" button and keep it depressed until the lower end position (programmed desktop position) is reached.
	Release the "Down" button.
	Again, press the "Down" button and keep it depressed for approx. 5 s.
	The desktop moves into the lower end position.
	Release the "Down" button. The system is now ready for operation.



If the button is released before the process is completely concluded, the manual reset process will be interrupted and must be restarted.

In the event that the reset process could not be successfully executed, proceed as follows:

**Faulty manual reset**

	Press the "Up" and "Down" buttons simultaneously and keep them depressed for at least 5 seconds.
	Restart the manual reset process as described above

## 6.7.2 Adjusting the desktop height with the *intuitive operator panel*

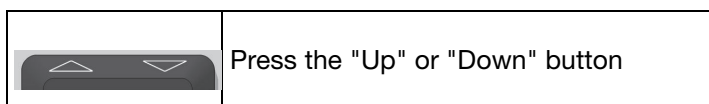
Before performing the height adjustment, you must ensure:

- ▶ That there are no people or objects (e.g. open doors or windows) in the lift area or that protrude into the lift range,
- ▶ That there are no objects in the lift range of the lift column,
- ▶ That no one is on the desk,
- ▶ That the maximum permissible load-carrying capacity of the desk is not exceeded (see Technical data),
- ▶ That there are no heavy loads on the desk. Any such loads will hinder height the adjustment,
- ▶ That the desktop is horizontal. If the floor is uneven, align the desktop via the adjustment screws on the feet.



Ensure that the connecting cables for the devices on the desk are long enough.

---



A lift movement only occurs

- As long as the corresponding button is pressed
- As long as the maximum load (approx. 75 kg) is not exceeded.



The desk starts up!  
The desk moves at a speed of approx. 4 cm/s. CAUTION.

---



### **RISK OF DAMAGING THE DESK**

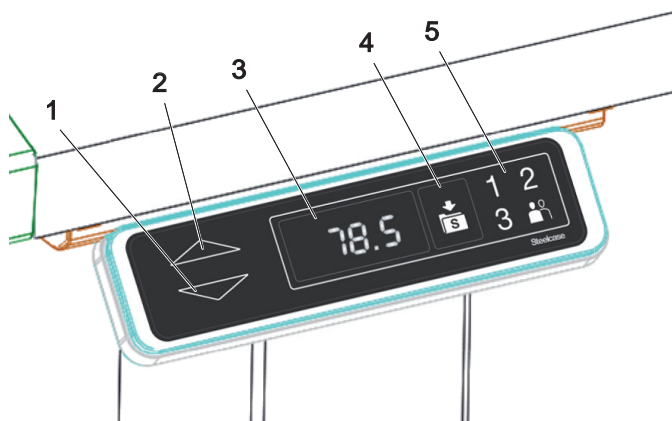
If the desktop only moves on one side, or if desktop movement is not uniform:

- ▶ Release the button immediately so that the movement stops!
  - ▶ Determine the cause in accordance with the troubleshooting table (see 7.2 Error messages on the display of the programmable operator panel on page 36).
  - ▶ If necessary request a service technician.
-

## 6.8 Operator panel - *programmable* (optional)

Prior to placing the desk in service it is necessary to execute a reset process.

Figure 6-5 Operator panel - *programmable*



1	"Down" button
2	"Up" button
3	Display
4	"STORE" button
5	Keypad "MEMORY 1 / 2 / 3" + calibration mode

## 6.8.1 Manual reset, operator panel - *programmable*



### WARNING

#### Danger of crushing and shearing!

- ▶ During the reset movement, and for the end position calibration, the software-supported stop device is not active.

	Press the "Down" button and keep it depressed until the lower end position (programmed desktop position) is reached.
	Release the "Down" button.
	Again, press the "Down" button and keep it depressed for approx. 5 s.
	The desktop moves into the lower end position.
	Release the "Down" button. The system is now ready for operation.



If the button is released before the process is completely concluded, the manual reset process will be interrupted and must be restarted.

## 6.8.2 Adjusting desktop height with the operator panel - *programmable*

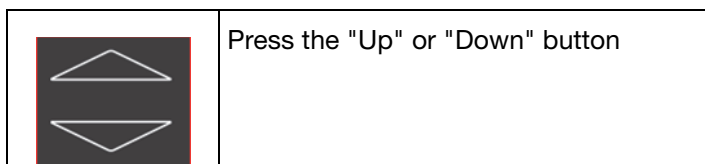
Before performing the height adjustment, you must ensure that

- ▶ No error message is shown on the display of the operator panel (see 7.2 Error messages on the display of the programmable operator panel on Page 36),
- ▶ That there are no people or objects (e.g. open doors or windows) in the lift area or that protrude into the lift range,
- ▶ That there are no objects in the lift range of the lift column,
- ▶ That no one is on the desk,
- ▶ That the maximum permissible load-carrying capacity of the desk is not exceeded (see Technical data),
- ▶ That there are no heavy loads on the desk. Any such loads will hinder height the adjustment,
- ▶ That the desktop is horizontal. If the floor is uneven, align the desktop via the adjustment screws on the feet.



Ensure that the connecting cables for the devices on the desk are long enough.

---



**Control  
panel -  
*program-  
mable***

A lift movement only occurs

- As long as the corresponding button is pressed
- As long as the maximum load (approx. 75 kg) is not exceeded.



The desk starts up!  
The desk moves at a speed of approx. 4 cm/s. CAUTION.

---



### CAUTION

#### Risk of damaging the desk

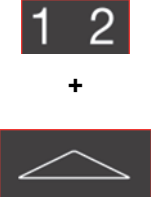




If the desktop only moves on one side, or if desktop movement is not uniform:

- ▶ Release the button immediately so that the movement stops!
  - ▶ Determine the cause in accordance with the troubleshooting table (see 7.2 Error messages on the display of the programmable operator panel on page 36).
  - ▶ If necessary request a service technician.
-

### 6.8.3 Changing the display between centimetres and inches

You can select between displaying the height in centimetres [cm] or in inches [inches]. Changing this function does not change the desk height.

To change the display, proceed as indicated in the following table:







	<ul style="list-style-type: none"> <li>▶ Simultaneously press the memory position buttons 1, 2 and the desktop up button.</li> <li>▶ Keep this button combination depressed for approx. 3 s.</li> <li>▶ Release the buttons.</li> </ul>
	<p>On the display S and a number, e.g. S 7, will be shown on the display.</p>
	<ul style="list-style-type: none"> <li>▶ Press the desktop up button until S 5 is shown on the display.</li> </ul>
	<p>S 5 is shown on the display.</p>
	<ul style="list-style-type: none"> <li>▶ Press the memory button</li> </ul>
	<p>If the display was previously set to cm, it will now be switched over to inches.</p> <p>If the display was previously set to inches, it will now be switched over to cm.</p>



### 6.8.4 Setting the memory position

This function stores a defined desktop height. A desktop height can be stored for each memory position button. A maximum of three memory positions can be entered.



To store a desktop position, proceed as follows:

	▶ Move the desktop to the desktop position you desire.
	This desktop position will be shown on the display, e.g. 73 cm.
	▶ Press the memory button.
	S will be shown on the display.
	▶ Press the desired memory position button, e.g. 2.
	S 2 will be shown on the display.
	The set desktop position will now be stored under the selected memory position button.
	A double click will sound, after approx. 2 seconds the saved desktop position will be displayed.

## 6.8.5 Calling up a memory position

With this function you can set a stored desktop position.

To set a stored desktop position, proceed as follows:

	<p>► Press the desired memory position button, e.g. 2, and keep it depressed.</p>
	<p>The desktop moves until the stored desktop position is reached.</p> <p>If you release the button before reaching the stored desktop position, the desktop will stop and the stored desktop position will not be reached.</p> <p>The desktop has reached the stored desktop position. Now release the memory position button.</p>
	<p>The current desktop position will be shown on the display, e.g. 73 cm.</p>



Always move the desk up or down until the desired or programmed height is reached and the desk stops. This ensures that the desk is aligned evenly (horizontally) if there is a load on one side.

---

## 6.9 Sliding desktop

The Ology desk is supplied with a sliding desktop (except for the 600 depth). The sliding top allows you to reach the cable duct even if the rear of the desk is not accessible.



Ensure that the connecting cables for the devices on the desk are long enough.



### WARNING

#### Danger of crushing!

- ▶ Keep your hands and fingers away from the guides!



### WARNING

#### Danger of injury!

If the pulled out sliding desktop is under load, the desk can tip over!

- ▶ Do not put any weight on the pulled out desktop!

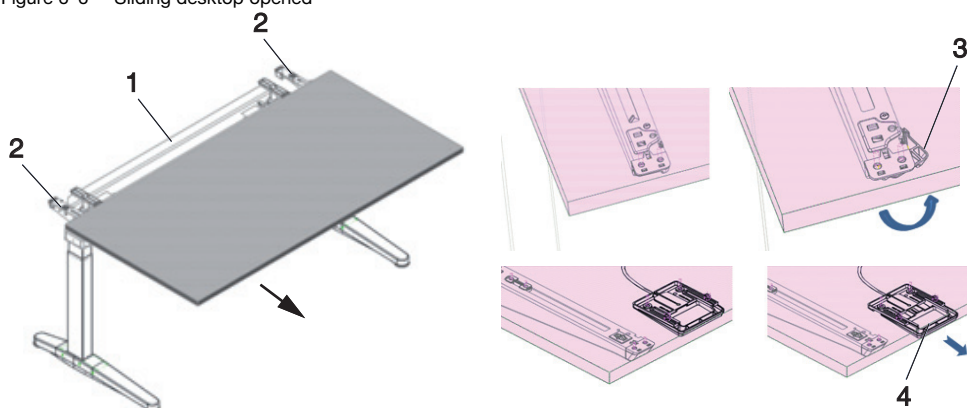


### CAUTION

#### There is a risk of damaging the desk and objects.

- ▶ Keep the travel path clear!

Figure 6-6 Sliding desktop opened



1	Cable duct
2	Guides
3	Desktop locking mechanism, operation by authorized technicians (standard)
4	Handle of the desktop locking mechanism, operation by the user (optional)

- ▶ Release the desktop locking mechanisms on both sides.
- ▶ Pull the desktop out to the stop.

### Opening the desktop



### CAUTION

#### You can damage the sliding desktop if the sliding desktop locking mechanisms are closed!

- ▶ To close the sliding desktop, the sliding desktop locking mechanisms must be open

- ▶ Slide the sliding desktop in to the limit stop on the safety block.
- ▶ Unlock the safety block.
- ▶ Close the desktop locking mechanisms on both sides.

**Closing the  
sliding  
desktop**

## 7 Errors and faults

### 7.1 Safety regulations

For troubleshooting, the following always applies:



#### DANGER

**Contact with electrical voltage can cause serious injury and death by electrocution.**

- ▶ Only unplug or plug-in plug connections when the desk is de-energised.
- ▶ Do not attempt to open the housing of the following components:
  - Controller
  - Columns
  - Operator panel



#### CAUTION

**Risk of damaging the electrical equipment!**

- ▶ Do not pull on the power cord to unplug the plug from the power outlet.

### 7.2 Error messages on the display of the *programmable* operator panel

If faults occur during operation of the Ology desk, please check whether it is operated in accordance with the user manual. In most cases, this manual will help you to locate and correct the errors.

Any errors that occur will be shown on the display of the *programmable* operator panel. The "Error" segment flashes.

The table below should help you to identify the cause and to correct the error.

Display	Error description / cause	Measure
	The motor controller COMPACT <sup>ECO</sup> is equipped with an overheating protection circuit. Due to overheating, this overheating protection circuit has been activated.	Wait until the motor controller has cooled, and the message HOT no longer appears on the display. Then the COMPACT <sup>ECO</sup> motor controller is again ready for operation.
Display shows an E and an error number: 	An internal error is present on the COMPACT <sup>ECO</sup> motor controller.	Proceed as specified in the following error list.
00	Internal error channel 1	Switch off the motor controller. Contact Customer Service.
01	Internal error channel 2	
02	Internal error channel 3	
12	Defect - channel 1	Unplug the motor controller.
13	Defect - channel 2	Repair the external short circuit.
14	Defect - channel 3	Or:  Plug the correct motor into the socket in question.  Start up the motor controller again.

Display	Error description / cause	Measure
24	Over current - motor M1	Remove the objects that are jammed in the travel area.  Desk overloaded --> remove the load from the desktop.  Contact Customer Service.
25	Overcurrent motor M2	
26	Overcurrent M3	
48	Overcurrent motor group 1	
49	Overcurrent motor group 2	
60	Collision protection	
62	Overcurrent - controller	
36	Plug detection on motor socket M1	Plug the correct motor into the socket in question.  Execute a reset.
37	Plug detection on motor socket M2	
38	Plug detection on motor socket M3	
61	Motor swapped	
55	Synchronization of motor group 1 not possible	Remove the load from the desk.  Execute a reset.  If the error is still displayed after the reset, contact Customer Service.
56	Synchronization of motor group 2 is not possible.	
67	Excessive voltage	Unplug the power supply cable and contact Customer Service.
70	Change in the drive configuration	Contact Customer Service.
71	Change in the anti-pinch configuration	Contact Customer Service.
81	Internal error	Execute a reset.  Unplug the power supply cable and plug it back in after a few seconds.  If this error occurs regularly, unplug the power supply cable and contact Customer Service.

## 8 Maintenance

### 8.1 Safety regulations

All maintenance and repair tasks must only be performed by appropriately qualified and authorised technicians.

Only use tools appropriate for these activities.

### 8.2 Function checks

The Ology desk components should be checked for functionality at regular intervals. Particular attention should be devoted to the electrical connections:

- ▶ The electrical equipment for the desk must be checked at regular interval. Loose connections and damaged cables must be repaired immediately.
- ▶ Only plug in or unplug plug-and-socket-connections when the electrical equipment is de-energised.
- ▶ The power plug of the desk must be accessible at all times.

### 8.3 Functional Check Table

Interval	Inspection point	Function check	Permitted value	Measure if required
Upon assembly	Frame parts	Position desktop brace	Desktop traverse completely inserted in the guides and firmly bolted	Loosen the screws, insert the desktop brace correctly and firmly tighten the screws
Prior to every height adjustment	Direct vicinity of the desk	Check safety clearances	No objects in the lift range	Remove objects
	Desktop	Check for horizontal alignment	Horizontal	Align using the adjustment screws on the feet
Regularly	Connections of the electrical supply lines (cables)	Check the insulation for damage	No damage	Replace connections
	Insulation of the electrical supply lines (cable)	Check the insulation for damage	No damage	Replace the cables
	Surroundings of the electrical supply lines (cables)	Check for distance to hot objects (e.g. radiators)	Sufficient distance	Establish distance



## 8.4 Maintenance tasks

Maintenance tasks may only be carried out by authorised and qualified personnel. For more information, please contact our Customer Service Department (see 9.2 Repairs and spare parts on page 43).

Prior to the adjusting the height of the desk you must ensure that the desktop is horizontal. If the floor is uneven, align the desktop via the adjustment screws on the feet.

Ensure that there are no objects in the movement range of the lift column!



### **DANGER**

**Contact with electrical voltage can cause serious injury and death by electrocution.**

- ▶ Only unplug or plug-in plug connections when the desk is de-energised.
  - ▶ Do not attempt to open the housing of the following components:
    - Controller
    - Columns
    - Operator panel
- 



### **WARNING**

**Unintentional lifting or lowering of the desktop can cause bodily injury!**

- ▶ For maintenance and repair tasks on all non-electric components of the desk, disconnect the electrical connection of the height adjustment element from the mains supply.
-

**WARNING**

**Risk of injury or damage!**

**When lifting the desktop or the attached components, the attachment screws may tear.**

- ▶ When transporting or moving the desk, only grasp the desk on the under-frame.

**CAUTION**

**Values stored in the controller do not agree with the settings of a different desk.**

**Risk of damaging the lifting mechanism!**

After dismantling the desk, e.g. for transport reasons:

- ▶ Always reattach the two side frames to the associated desktop cross member of the same desk.
- ▶ Comply with the separate assembly instructions in this regard.

**CAUTION**

**The desk may be damaged by the use of unauthorised spare parts!**

- ▶ Only components provided by Steelcase Werndl AG may be used as spare parts. Installation of other parts must be coordinated with Steelcase.
- ▶ The specified maintenance and inspection intervals must be complied with.

Steelcase Werndl AG shall assume no liability and will provide no guarantee in the following cases (see 1.4 Exclusion of liability on page 6):

- Inadequate monitoring of the product components (functional checks)
- Improper maintenance
- Maintenance performed by third parties
- Maintenance performed by unqualified and unauthorised persons
- Use of components and adaptations not supplied by Steelcase.
- Unapproved changes to the product with regard to its construction and implementation
- Deliberate misuse
- Improper use.

**Exclusion of liability**

## 8.5 Cleaning and care

---

**CAUTION**

**Humidity may damage the operator panel and the control system.**

- ▶ Keep the operator panel free of moisture and liquids.
  - ▶ Keep the controller free of moisture and liquids.
- 

For cleaning the surfaces of the desk off-the-shelf cleaning agents can be used.

Ensure that only care and cleaning agents are used that are suitable for the respective materials (wood, plastic, metal, etc.).

## 9 Customer service

### 9.1 Delivery, setup, instruction

The desk is normally delivered, assembled, and set up by the manufacturer or by the retailer.

The users are instructed in the operation of the device by the manufacturer or the retailer.

### 9.2 Repairs and spare parts

Original spare parts and accessories can be obtained from the manufacturer.

If any errors or defects cannot be corrected, please contact the Customer Service department.

#### Service hotline

Steelcase Werndl AG      Hotline:  
Georg-Aicher-Strasse 7    telephone:+49 (0) 80 31 405 - 377  
D-83026 Rosenheim      Fax: +49 (0) 80 31 405 - 378  
E-mail:support@steelcase.com

Country	Customer Service Hotline
France	+33 (0) 3 88 13 37 96
Great Britain	+44 (0) 17 53 68 02 00
Spain	+34 914 759 000 241
Italy	+39 (051) 65 00 708
The Netherlands Belgium Luxembourg Scandinavia The Baltics Poland The Czech Republic Slovakia	+31 30 634 62 41
other	+33 (0) 3 88 13 37 96