



# Installation Instructions

## DEKO PV 1090

art. no. 871002



# 1 Ceiling Profile

The first step is to draw lines on the floor and ceiling, marking up the position of the partition according to the architect's or engineer's drawings.

You are recommended to use a chalked line to mark up straight lines – even for short partitions.

When installing DEKO PV 1090 partitions, you should start with the ceiling profile.

The ceiling profile is fitted with joint strip.

Fix the profile to the ceiling using nail plugs or similar method depending on the material of the ceiling – the maximum spacing between fixing points is 60 cm.

These DEKO profiles can be used as ceiling profiles:



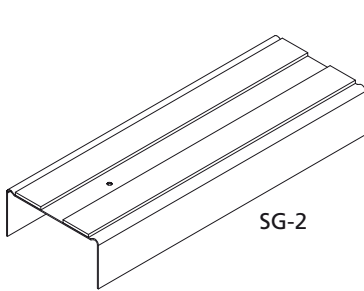
Use the **SG-2** profile if the ceiling is a suspended ceiling.



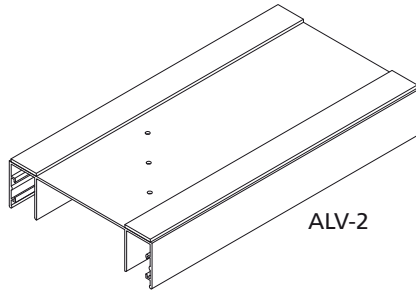
Use the **ALV-2** profile if the partition ends at the finished ceiling.



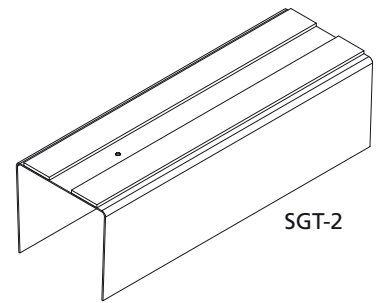
Use the **SGT-2** profile if there is a possibility of movement in the structures above (telescopic solution).



SG-2



ALV-2



SGT-2

## 2 Floor Profile

Install the floor profile after the ceiling profile, using a plumb line from the ceiling profile to determine the position of the floor profile.

Measure to door openings and cut the floor profile.

Fix the floor profiles using the same method as the ceiling profiles, with a maximum spacing of 60 cm between fixing points.

The floor profile is fitted with joint strip.

If you are using AGP-2 on the floor or ALV-2 on the ceiling for a distance of more than 3 m, use couplings to join the aluminium profiles and use angle couplings for 90° corners.

These DEKO profiles can be used as floor profiles:



Use the **SG-2** profile if you want to finish the partition at external partition-installed PVC skirting, painted wood skirting, or clip-on aluminium skirting.



Use the **AGP-2** profile if you want to finish the partition at the floor.

Cut the floor profile for door openings with the following opening dimensions:

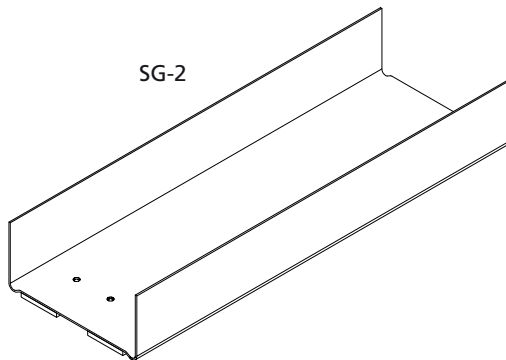
9 M = 89 cm

10 M = 99 cm

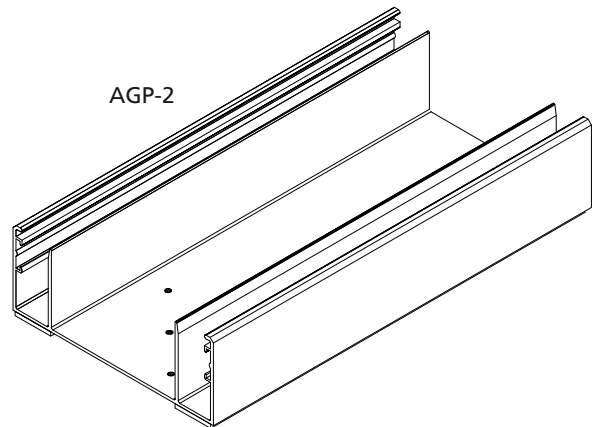
11 M = 109 cm

12 M = 119 cm

18 M = 179 cm



SG-2



AGP-2

# 3 Wall Profile

Fit the wall profile to existing walls and columns.

Use nail plugs to fix the wall profile with a maximum spacing of 60 cm.

The wall profile is fitted with joint strip.

These DEKO profiles can be used as wall profiles:



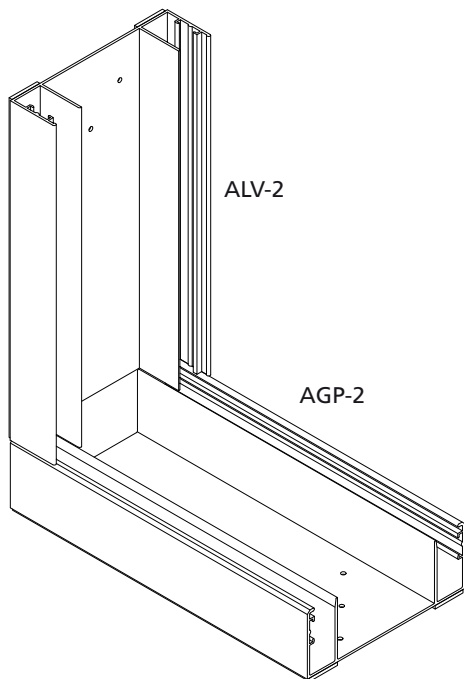
Use the **ALV-2** profile for the same solution as the ceiling.



Use the **SG-2** profile for solutions involving DEKO's aluminium wallstarters like AIP-1 or AVT-1, and



Use the **SGT-2** profile if you are using ASPV as a wallstarter.



# 4 Installing Posts

You are recommended to mark the position of the posts on the floor before starting to install them.

Position the posts exactly 900 mm apart for 9 M, and 600 mm apart for 12 M.

Install the SZ-2 post profiles in the floor and ceiling profiles by twisting them into position. They are secured by friction alone.

It is a good idea to use profile screws to fix the post profiles to the floor and ceiling profiles in order to guarantee a module of exactly 900 mm. It is important to cut the posts from the top end so that the predrilled holes are in line horizontally.

Use SD-2 posts as vertical posts in door openings, fastened to the skirting with nail plugs as flush as possible with the body of the profile. Use self-tapping screws to fix the SD-2 posts to the ceiling profile at the top.

Before fixing, make sure that the posts are perfectly perpendicular/at right angles to the ceiling and floor profiles.

Fit cross braces to the SD-2 door posts. It is important to make sure that they are close to around 45° because the SDB-2 profiles cannot be fastened to the SD-2 posts until after the door frame has been installed. Use screw fixings to fasten the cross braces to the floor structure through a skirting in the floor profile.

These DEKO profiles can be used as post profiles:



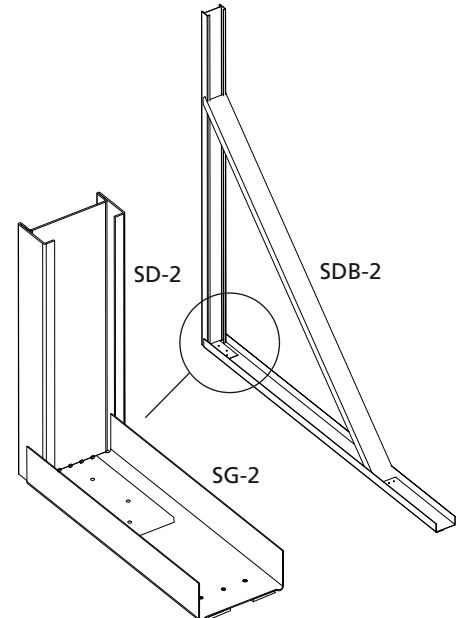
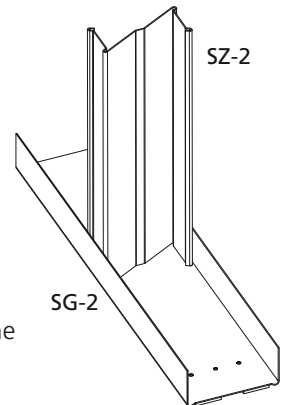
Use **SZ-2** posts as vertical posts in flat partitions and glazed modules.



Use **SD-2** posts as vertical posts in door openings.



The cross brace for doors is designated **SDB-2**.



# 5 T-junctions, Intersections, and Corners

If a partition meets an end partition in a T-junction, the two partitions are joined using the STS-2 DEKO profile. Use two profile screws to fix the STS-2 to the floor and ceiling profile.

Use SITV-1 and SUTV-1 in the joint in order to fix the modules to the corridor side of a continuous partition where glazing is to be used at the T-junction.

If a partition turns 90° or 135°, use SHP-2-90° or SHH-2-135° profiles.

Use profile screws in each profile to secure the corner posts to the floor and ceiling profiles.

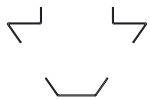
Install SKS-2 posts where three partitions intersect under 135°, also secured by screws in the ceiling and floor profiles.

Make all the posts in T-junctions, corners and intersections perfectly vertical before screwing them to the ceiling and floor profiles.

These DEKO profiles can be used as posts in joints:



STS-2 for T-junctions.



SITV-1 and SUTV-1 for fixed modules on the corridor side of the glazed partition.



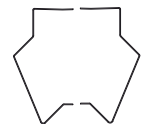
SHP-2-90° for solid partitions.



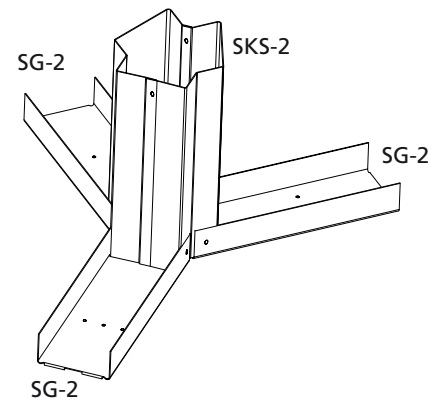
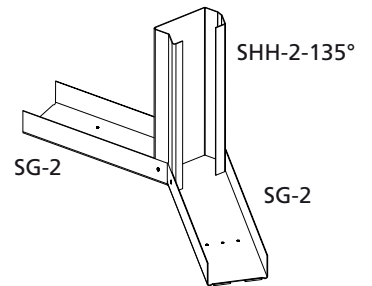
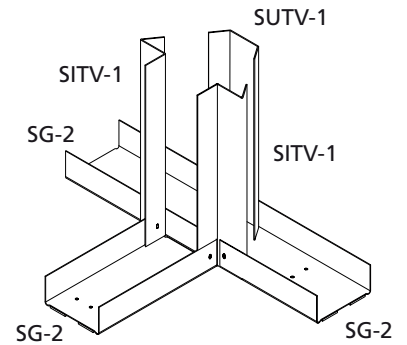
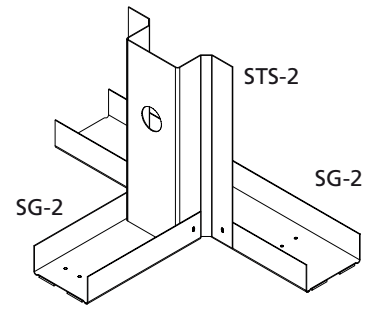
SHPV-2-90° for glazed partitions.



SHH-2-135° for solid or glazed partitions.



SKS-2 for intersections under 135°.



# 6 Lintels

Lintels are installed above and below glazed modules.

Fix the lintels to the predrilled holes in the post profiles using profile screws in the flanges, where they support the glazed modules.

If you are installing the lintels to support glazed modules at heights that do not match the predrilled holes, bend down the body of the lintels and attach them using screws alone in the predrilled holes in the flanges.

DEKO lintels are designated SGV-2 and are available in lengths of 60, 90 and 120 cm.



The SGV-2 profiles are supplied without joint strip.

For lintels over 120 cm, use SGV-2 profiles of length 300 cm, without joint strip, and cut to size on site as necessary.

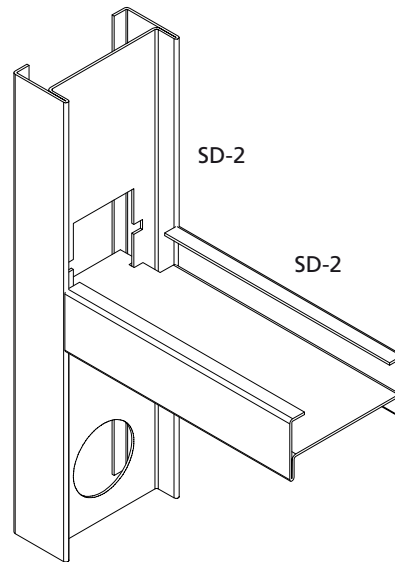
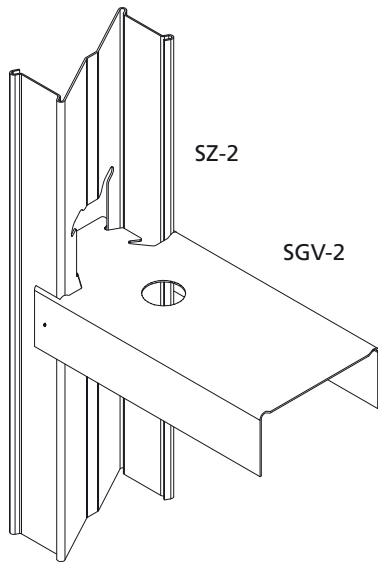
For door openings, install SD-2 lintels above the door in the predrilled holes in the SD-2 post.

The SD-2 lintels above doors are available in sizes 8-9-10-18 M.

Horizontal lintels are designated as follows:

-  SGV-2 between SZ-2 posts, and
-  SD-2 for installation above doors.

NB: If glazed modules are installed next to doors, the height of the upper edge of the glazed module is determined by the height of the door – the horizontal joint trim ASP must be the same height above the door and glazed module.





# 7 Lining

To create the partition, fit the gypsum boards to one side, then complete the various installations in the steel structure, for example electricity, telephone, computer network, etc.

Attach the coated gypsum boards to the post profiles using ASP aluminium joint trims, which have predrilled holes every 30 cm.

The joint profile secures the gypsum board to the frame using screws every 30 cm.

Laminated gypsum boards are secured to the AGP-2 and ALV-2 profile at the top and floor profile, with the gypsum board seated in the groove next to the profile.








If the gypsum boards are terminated at SG-2 profiles, secure them to the SG-2 profile with screws every 30 cm.

The ASP aluminium profile is also used for horizontal joints.

After installing the various cables, insulate the partition cavity between the posts with 50 mm of mineral wool, closing the open side last, in the same way as the first side.

It is a good idea to start by installing the lining on the inside of the office part, leaving the lining for the corridor area as late as possible in the construction process to avoid damage from other tradesmen.

These DEKO aluminium profiles can be used as joint profiles to secure gypsum boards:

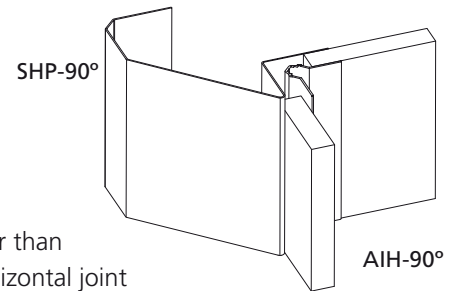
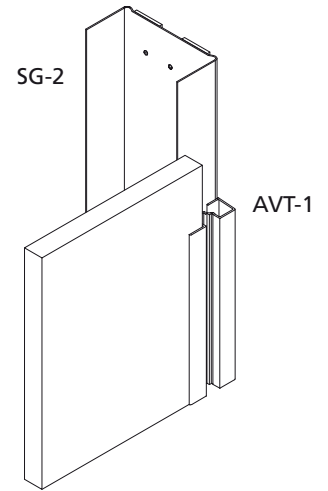
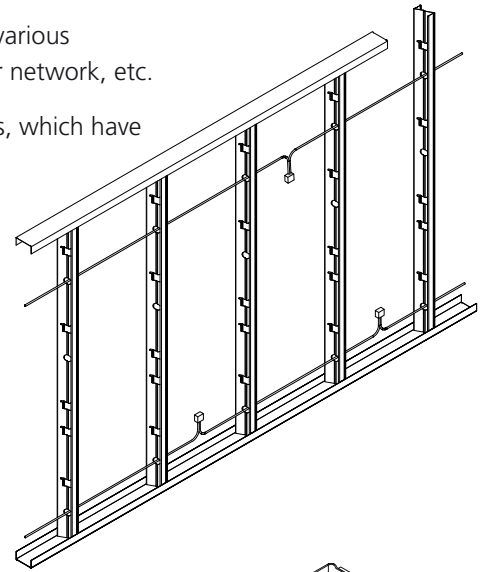
-  ASP for straight surfaces, vertically and horizontally.
-  AUH-90° for 90° external corners.
-  AIH-90° for 90° internal corners.
-  AUH-135° for 135° external corners.
-  AIH-135° for 135° internal corners.
-  ASPV as a wallstarter profile.
-  APF for horizontal gypsum board joints on high partitions.

The gypsum boards are supplied pre-decorated for module 9M (board width 886 mm) or module 12M (board width 1186 mm).

Coated gypsum boards are supplied in these lengths: 255, 275, 300 and 330 cm.

Two-person lifts or technical equipment are used to install coated gypsum boards longer than 255 cm. In partitions over 270 cm, the coated gypsum boards are connected with a horizontal joint at a height of 255 cm, using an aluminium profile of type APF or APFF.

Install the vertical ASP joint trims first, and cut any horizontal joint trims above doors, and above and below glazed modules between the vertical profiles.





# 8.1 Assembling Glazed Modules

Glazed modules assembled on site always use glass of different thickness.

Shorten horizontal aluminium glazing profiles to fit precisely between the vertical post profiles and position them using the SGV-2 profiles as a base.

Install the vertical glazing profiles between the existing horizontal glazing profiles.

Use soft elastic PVG sealing beads for glazed modules to fit the aluminium glazing profiles before installing the glazing profiles in the partition. There are two types of PVG, one for 4 and 6 mm glass and one for 8 mm glass.

Install the horizontal sealing beads with around 15 mm extra length at both ends, and insert the vertical sealing beads so they fit tightly between the horizontal sealing profiles. Take care not to pull the vertical sealing beads so they do not shrink and get too short later on.

If the module is single glazed, insert rigid PVB glazing stopbeads in the unglazed side.

Before the glass is fitted, use something like tape to keep the vertical glazing profiles in position.

Cut the glass so it fits precisely against the edges.

The glass is held straight by the ASP aluminium joint trim in the same way as the gypsum boards.

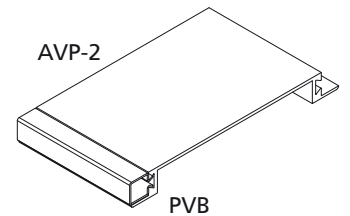
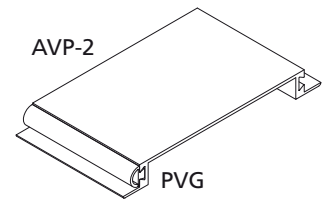
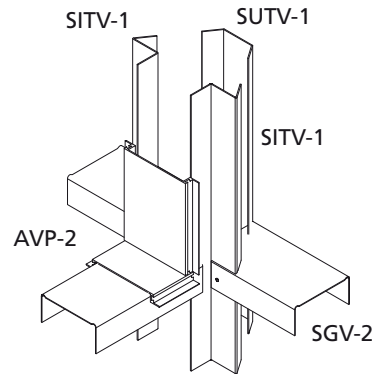
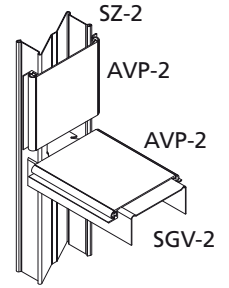
Glazing profiles for 90° and 135° corners are installed in the same way as standard glazed modules in plane partitions.

For intersection at T-junctions of partitions, you should use the steel profiles SITV-1 and SUTV-1 as a base for the glazing profiles.

For double glazing, make sure you clean between the panes of glass before closing the partition.

The AVUF-2 glazing profile without flanges is normally used where glazed modules are terminated in the AGP-2 profile, because the AGP-2 profile has two blocks measuring 16 x 16 x 50 mm to support the glass.

The AVUF-2 profile can also be used with the wallstarter profile ALV-2, where the glass is hidden in the ALV-2 profile, but it must not be used at the top of the glass, as there is a risk that the AVUF-2 profile might bend.



Pre-cut AVP profiles are supplied to order for standard DEKO glazed modules measuring 90 x 100 cm, 90 x 120 cm, 120 x 100 cm and 120 x 120 cm.

Glazed modules assembled on site can include blinds between the panes of glass. There are separate instructions for installing blinds.

These glazing profiles can be used for DEKO glazed modules:



**AVP-2** aluminium glazing profile.  
(glazing profile for vertical and horizontal installation in plane partitions)



**AVH-2 90°** glazing profile for 90° corner.  
(vertical glazing profile for 90° corner)



**AVH-2 135° 135°** glazing profile for 135° corner.  
(vertical glazing profile for 135° corner)



**AVUF-2** glazing profile without flanges.  
(normally used where glazed modules terminate in AGP-2 profiles at the floor or in ALV-2 profiles against the wall, but not at the ceiling)



**AVKP-2 35°** glazing profile for T-junction.

## 8.2 Preassembled DEKO MG Double Glazed Modules

Preassembled DEKO MG modules are assembled at DEKO's factory as prefabricated double glazed units using two panes of 5 mm toughened glass. The panes of glass are fixed to the aluminium glazing profile using PVC profiles.

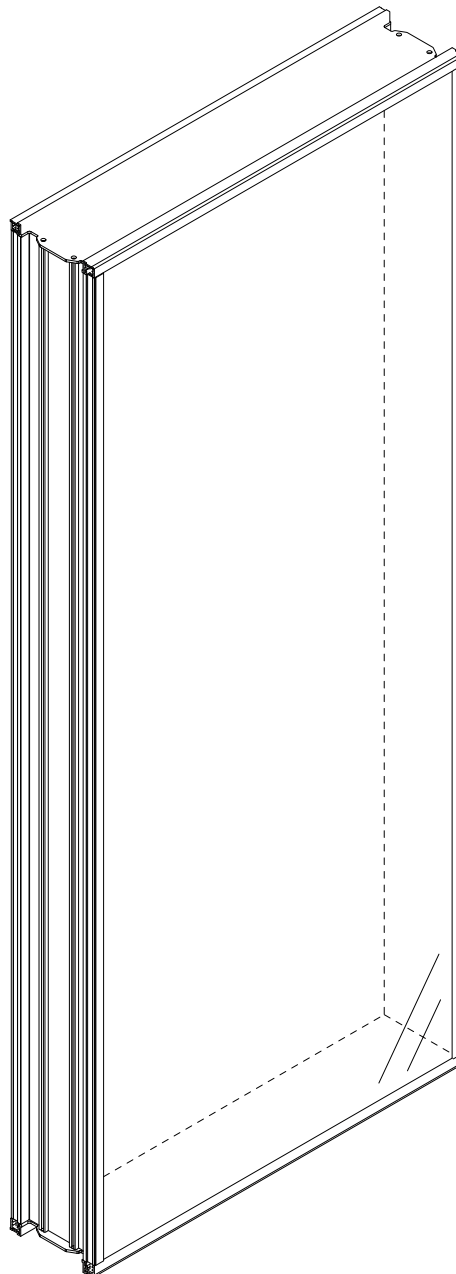
The DEKO MG modules are supplied from the factory in the following standard dimensions: 9 x 12 M and 9 x 21 M, with or without blinds.

Attach the preassembled DEKO MG modules to the steel structure before installing the lining.

Lift the modules into position on the AGP-2 floor profile or the horizontal SGV-2 profile.

Push the posts firmly against the DEKO MG modules and hold them vertical, while attaching the SGV-2 profile above the DEKO MG modules and securing it to the vertical posts above the DEKO MG modules using self-tapping screws in the flanges of the SGV-2 profile.

Using DEKO MG modules means there is no need for the installer to clean the glass on the site.



# 9 Installing Doors

Install doors as late as possible in the construction process to prevent damage to the frame profiles and door leaves.

Insert the frame elements – two vertical posts and one horizontal top frame element – in the door opening and screw them to the two upper corners of the frame when they are in position (2 screws per corner).

There are two grooves at the rear of the frame elements, allowing them to fit over the vertical door post profiles and into the horizontal lintel SD-2 above the door.

Install the assembled frame, complete with door leaf, in the door opening, and adjust the height of the sides of the frame. Then fix the frame in position.

First fix the hinge side, then fix the swing side after adjusting the height.

Fix the frame elements from the front using screws in the pre-drilled holes.

Remember to make sure the gap is the same all around the door.

If the frame needs further adjustment, you can use plastic shims inserted into the slits in the vertical steel profile. After tightening the screws, plug the holes in the vertical elements of the frame.

After installing the door, remember to fasten SDB-2 cross braces to the SD-2 door posts with self-tapping screws.

Finish installing the door with ASP aluminium joint trims, screwed every 30 cm, to cover the joint between the frame and the coated gypsum boards.

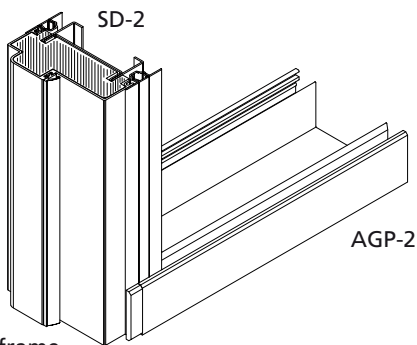
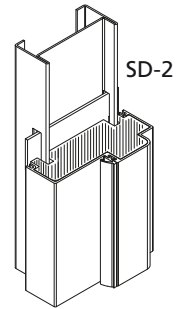
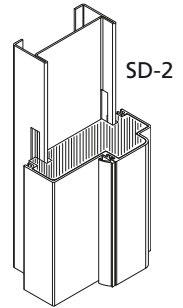
Remember to fit the PVC end cover to AGP-2 profiles where the door frame meets the floor.

Door leaves can be 40 or 62 mm solid door leaves, 40 mm glazed doors with an aluminium frame, or 10 mm toughened glazed panels.

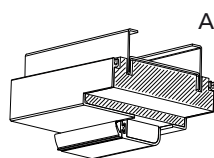
You can fit door leaves either with or without a seal underneath the door.

If the doors are installed as fire doors with a sealing strip under them, aluminium floor tracks must be fitted in the gap under the door leaf.

Aluminium floor tracks are supplied in a width of 40 mm for 40 and 62 mm doors, and a width of 26 mm for 10 mm glazed doors.

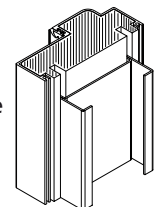


Aluminium frame



Aluminium frame

Aluminium frame



# 10 Skirting

At floor level, the partition is usually finished with the AGP-2 floor profile, but various types of skirting can also be used if gypsum boards are screwed to the SG-2 floor profile.

The following floor solutions are used:



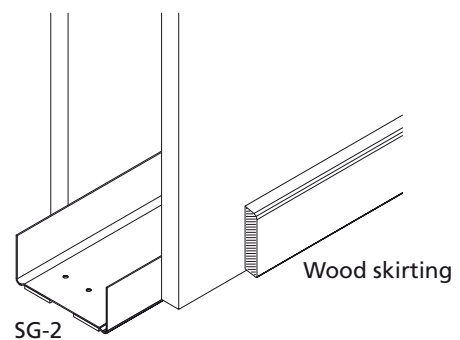
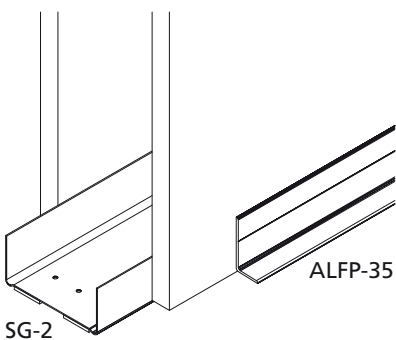
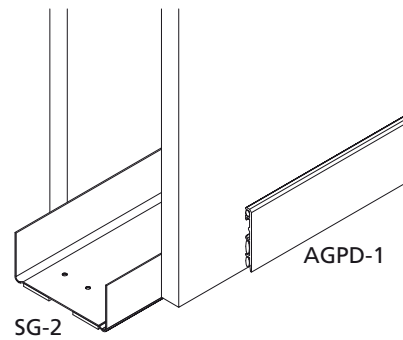
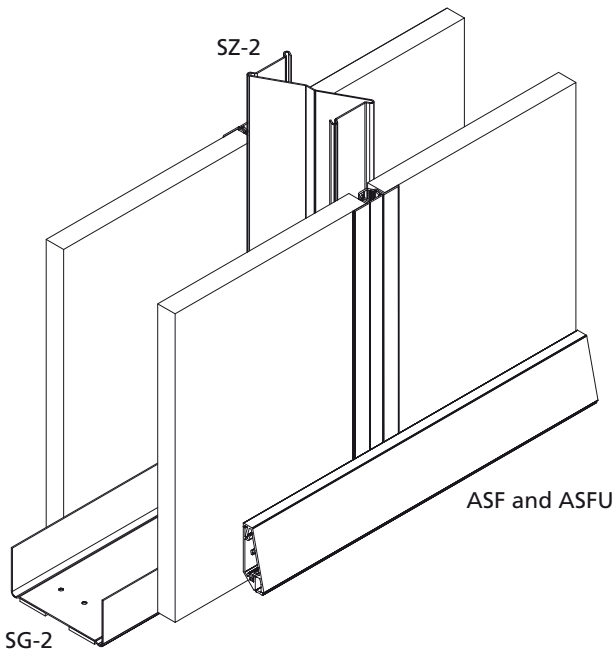
**AGPD-1** aluminium skirting, glued to the partition.

Solid wooden skirting, unpainted or painted.

**ALFP-35** L-shaped skirting, glued or screwed to the partition.

**ASF** click-on aluminium-profile skirting is available in various types, including ASF skirting, which is fitted to a base of type ASFU.

If AGPD, AGP-1 or AGP-2 is used, the skirting must be terminated with a PVC end cover. End covers are available in white or grey PVC.






# 11

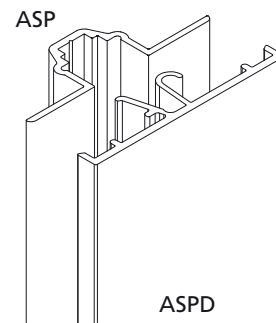
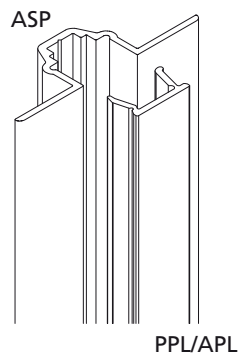
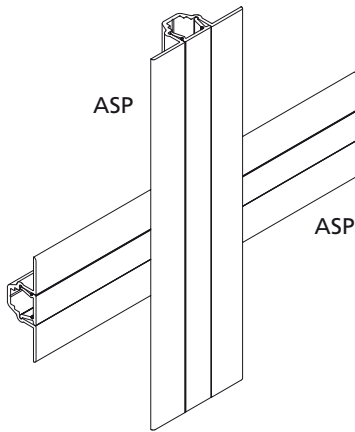
## Finishing Profiles

DEKO PV 1090 system partitions are finished by attaching inserts to the aluminium profiles.

It is important not to push the inserts in the horizontal joints behind the vertical aluminium joint trims, but to cut them between the vertical aluminium joint trims instead. If the inserts are pushed under the vertical aluminium profiles, they will buckle and bulge about 5 cm from the cut.

These DEKO profiles can be used as inserts:

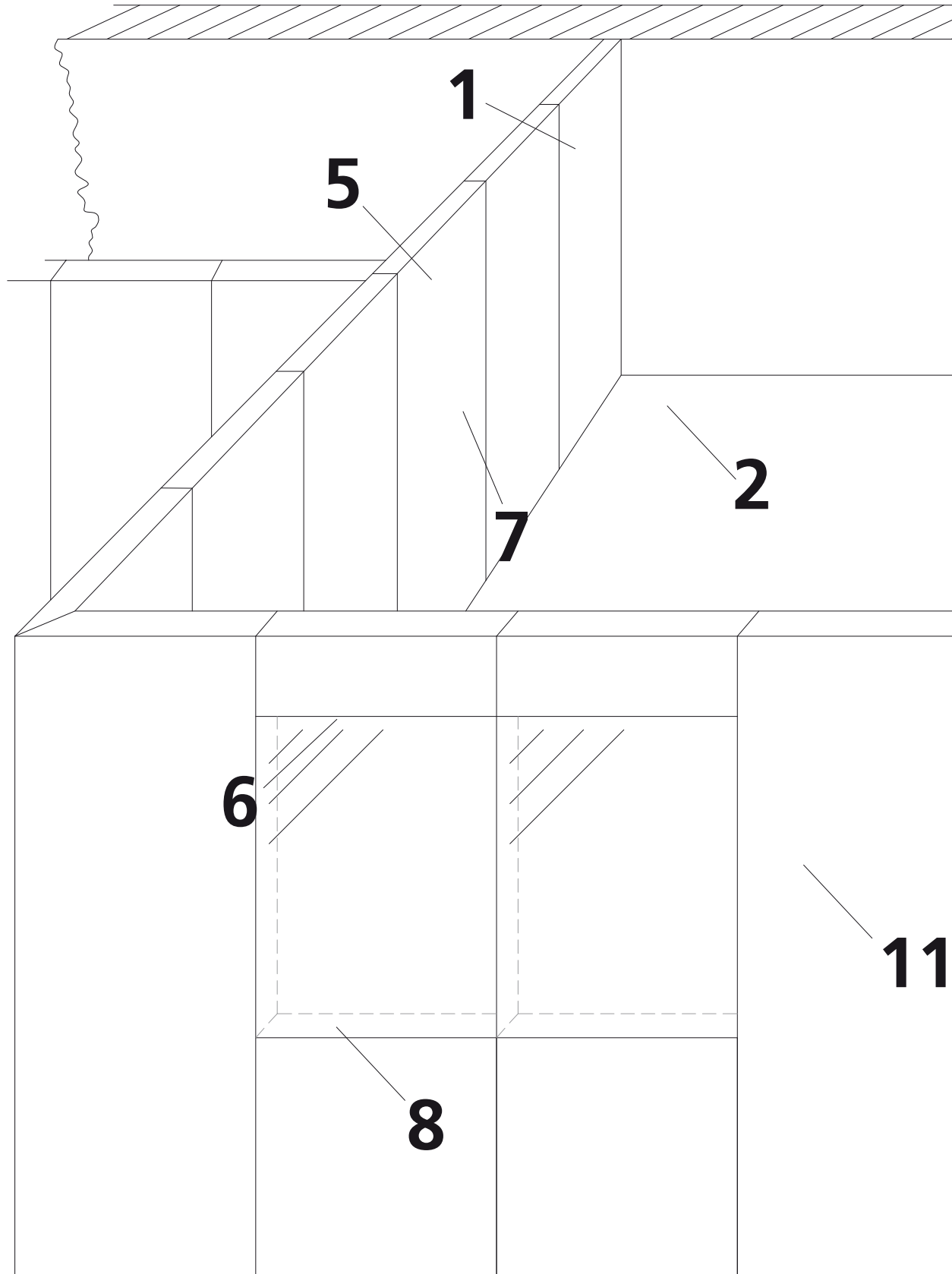
-  PPL PVC insert.
-  APL aluminium insert.
-  ASPD aluminium insert, used as an alternative to PPL or APL.



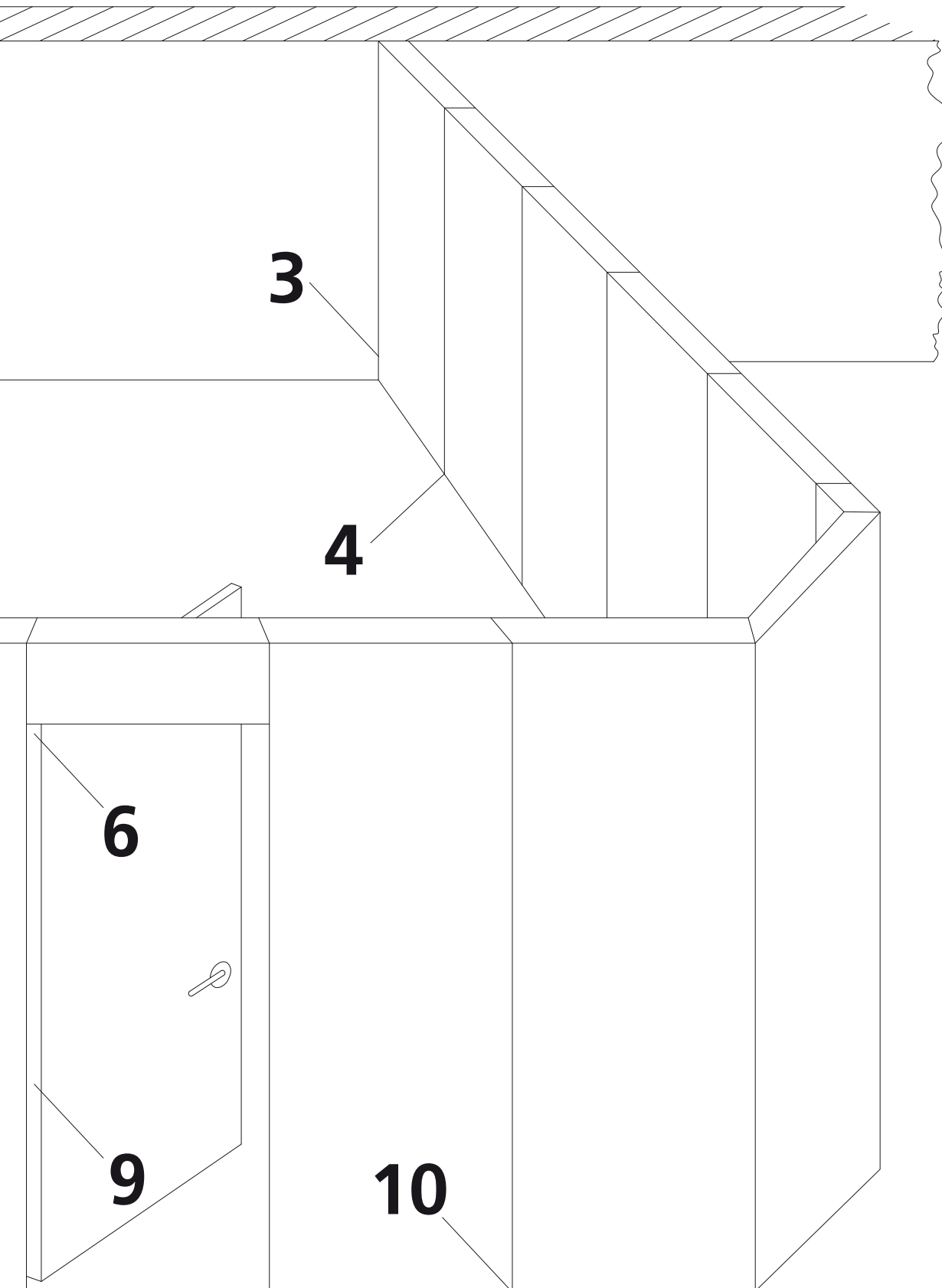
Some installers prefer to start by installing the floor profiles and then installing the wallstarter profiles and intersection profiles perpendicular to the ceiling.

The ceiling profiles are then installed between these intersection markings.

Starting with the ceiling ensures that the partition does not encounter ventilation ducts, concrete edges or similar structures that prevent it being attached to the ceiling.









DEKO partitions ltd  
Maarkaervej 11  
DK-2630 Taastrup - Denmark

Tel: +45 43 55 77 11  
Fax: +45 43 55 77 13

[info@deko.com](mailto:info@deko.com) - [www.deko.com](http://www.deko.com)